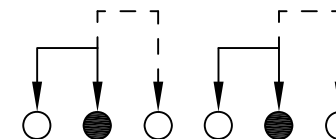
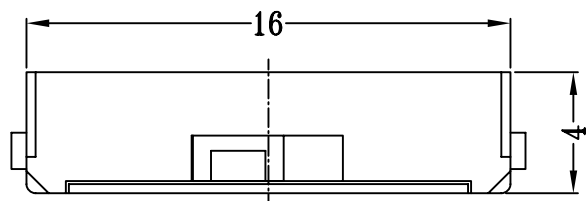
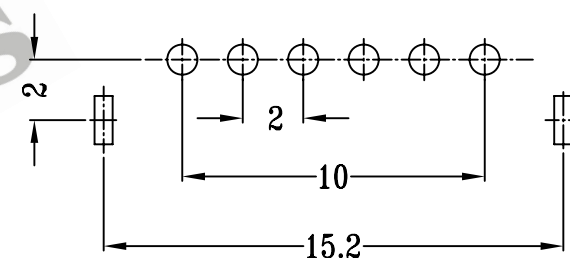
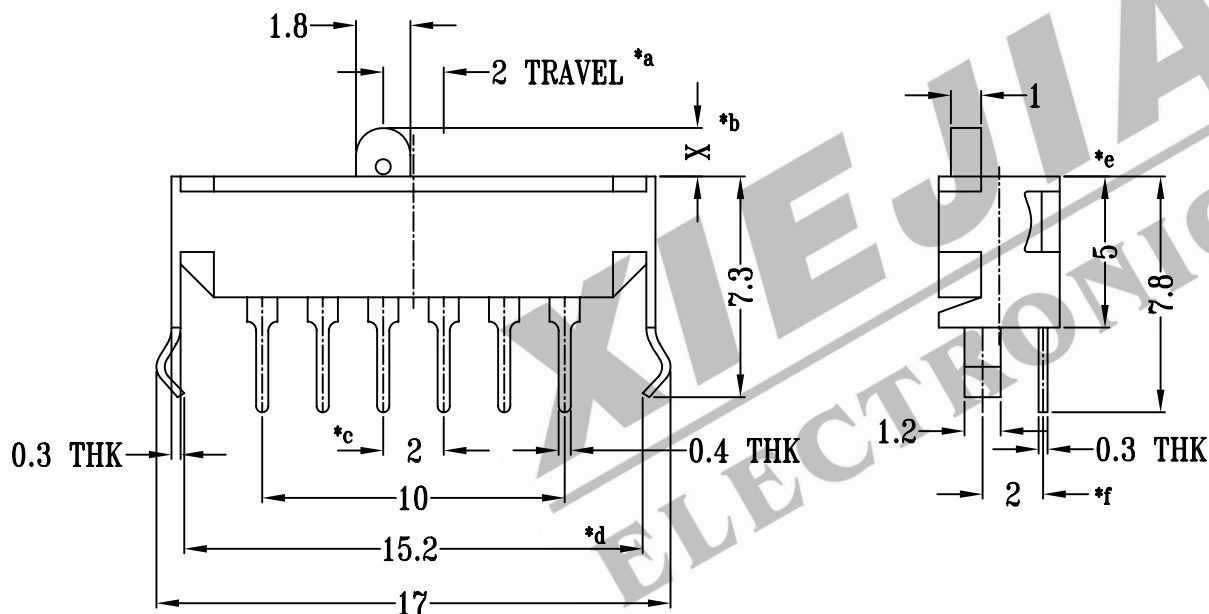


CAD FILE:



SCHEMATIC (SHORTING)



P.C.B LAYOUT

注:带"*"表示关键尺寸(6个)

8					TOLERANCE UNLESS SPECIFIED	SHENZHEN XIEJIA ELECTRONICS CO.,LTD.				
7										
6					WITHIN: 1.5±0.1mm OVER: 1.5±0.2mm	ISSUE	DATE	DESCRIPTIONS OF REVISION		APPD.
5	CONTACT CLIP	PBS	2	Ag CLAD		TITLE: VERTICAL SLIDE SWITCH		UNIT: mm	DRWG NO.: XJ-DR-SS22D15-00	
4	TERMINAL	BRASS STRIP	6	Ag PLATED OVER Ni PLATED	MODEL: SS-22D15		SCALE: 4:1	DWN.	ZHOUYU	2003-8-29
3	CASE	POM	1	BLACK	ALL MATERIALS MUST BE COMPLIANT TO ROHS		CHK'D		FANGYING	2003-8-29
2	FRAME	STEEL STRIP	1	Ni PLATED			APPD.		KANGXINAN	2003-8-29
1	KNOB	POM	1	BLACK						
NO.	PARTS	MATERIALS	Q'TY	FINISH						